

PLEASE CHECK WWW.MOLEX.COM FOR LATEST PART INFORMATION

Part Number: [5031590410](#)
Status: **Active**
Description: 1.50mm (.059") Pitch CLIK-Mate™ Wire-to-Board PCB Receptacle, Single Row, Through Hole, Vertical, without Peg, 4 Circuits

Documents:

[3D Model](#) [Product Specification PS-503159-001 \(PDF\)](#)
[Drawing \(PDF\)](#) [RoHS Certificate of Compliance \(PDF\)](#)

General

| | |
|----------------|-----------------|
| Product Family | PCB Receptacles |
| Series | 503159 |
| Application | Wire-to-Board |
| Product Name | CLIK-Mate™ |

Physical

| | |
|--------------------------------|----------------|
| Circuits (Loaded) | 4 |
| Color - Resin | Beige |
| Durability (mating cycles max) | 30 |
| Glow-Wire Compliant | No |
| Guide to Mating Part | Yes |
| Keying to Mating Part | Yes |
| Lock to Mating Part | Yes |
| Material - Metal | Copper Alloy |
| Material - Plating Mating | Tin |
| Material - Plating Termination | Tin |
| Number of Rows | 1 |
| Orientation | Vertical |
| PCB Locator | No |
| PCB Retention | Yes |
| PCB Thickness Recommended (in) | 0.062 In |
| PCB Thickness Recommended (mm) | 1.60 mm |
| Packaging Type | Tray |
| Pitch - Mating Interface (in) | 0.059 In |
| Pitch - Mating Interface (mm) | 1.50 mm |
| Polarized to Mating Part | Yes |
| Polarized to PCB | Yes |
| Stackable | No |
| Temperature Range - Operating | -25°C to +85°C |
| Termination Interface: Style | Through Hole |

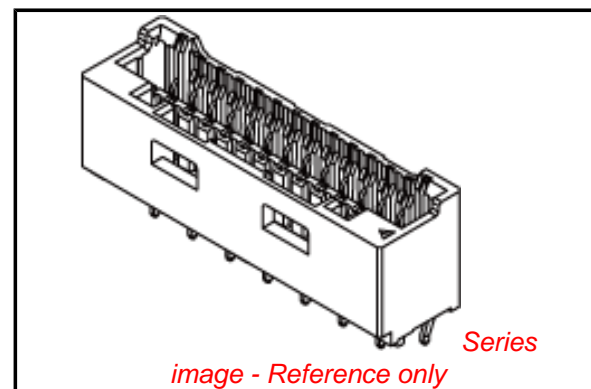
Electrical

| | |
|-------------------------------|------|
| Current - Maximum per Contact | 2A |
| Voltage - Maximum | 100V |

Material Info

Reference - Drawing Numbers

| | |
|-------------------------|---|
| Packaging Specification | SPK-503159-001 |
| Product Specification | PS-503159-001, RPS-503159-001, RPS-503159-003 |
| Sales Drawing | SD-503159-002 |



EU RoHS

ELV and RoHS Compliant
REACH SVHC Contains SVHC: No
Halogen-Free
Status
Not Reviewed

China RoHS



Need more information on product environmental compliance?

Email productcompliance@molex.com
 For a multiple part number RoHS Certificate of Compliance, [click here](#)

Please visit the [Contact Us](#) section for any non-product compliance questions.

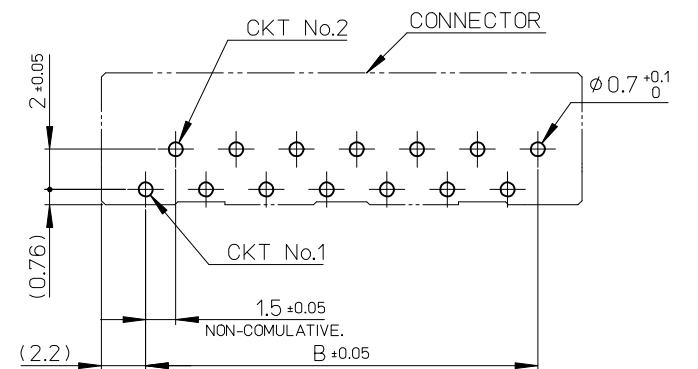
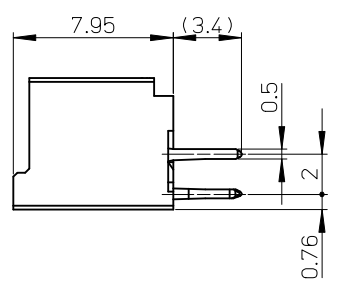
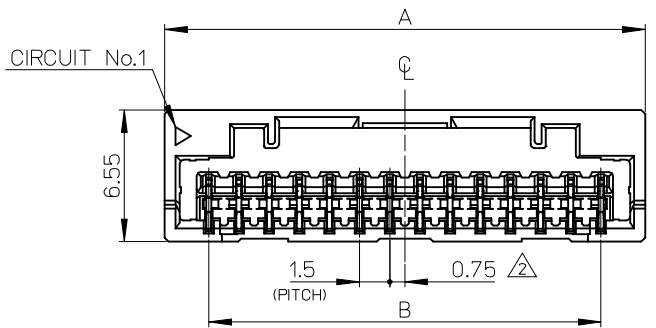
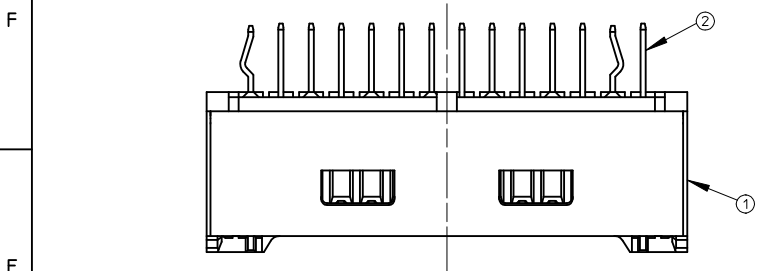
Search Parts in this Series

503159Series

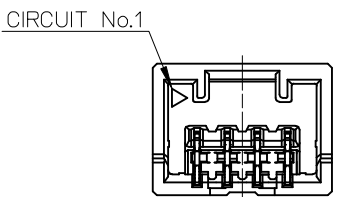
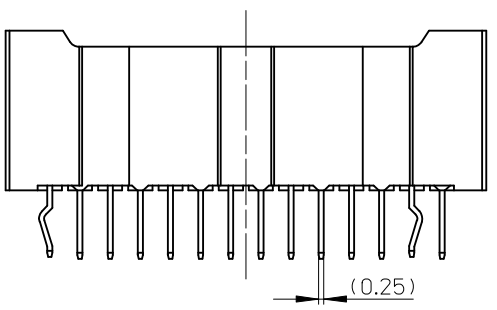
Mates With

502578 Crimp Housing . 502579 Crimp Terminal

10 9 8 7 6 5 4 3 2 1



基板取付穴推奨寸法 (マウント面)
RECOMMENDED P.C.BOARD HOLE DIMENSION (MOUNTING SIDE) (t=1.6)



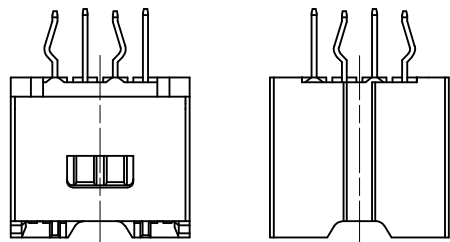
2~11極 CIRCUIT No.1
CIRCUIT No.1 OF 2-11 CIRCUIT

| | | | | |
|------|------|------|--------------|-------------------|
| 26.8 | 21 | 25.4 | 503159-15** | 15 |
| 25.3 | 19.5 | 23.9 | 503159-14** | 14 |
| 23.8 | 18 | 22.4 | 503159-13** | 13 |
| 22.3 | 16.5 | 20.9 | 503159-12** | 12 |
| 20.8 | 15 | 19.4 | 503159-11** | 11 |
| 19.3 | 13.5 | 17.9 | 503159-10** | 10 |
| 17.8 | 12 | 16.4 | 503159-09** | 9 |
| 16.3 | 10.5 | 14.9 | 503159-08** | 8 |
| 14.8 | 9 | 13.4 | 503159-07** | 7 |
| 13.3 | 7.5 | 11.9 | 503159-06** | 6 |
| 11.8 | 6 | 10.4 | 503159-05** | 5 |
| 10.3 | 4.5 | 8.9 | 503159-04** | 4 |
| 8.8 | 3 | 7.4 | 503159-03** | 3 |
| 7.3 | 1.5 | 5.9 | 503159-02** | 2 |
| C | B | A | TRAY PACKAGE | CIRCUIT ORDER No. |

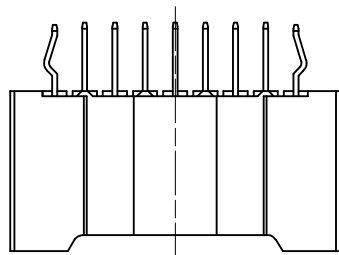
| No. | 部品 PART | 材料 MATERIAL |
|-----|----------------|--|
| ① | ハウジング HOUSING | ポリアミド (PA) UL94V-0 POLYAMIDE UL94V-0 色: 注記 5. 参照 COLOR: SEE NOTES 5. |
| ② | ターミナル TERMINAL | 銅合金 COPPER ALLOY 錫めっき (1.0 μm 以上) TIN PLATING OVERALL SURFACES (1.0 MICROMETER MINIMUM) 下地: ニッケルめっき (1.0 μm 以上) UNDER PLATE: NICKEL OVERALL (1.0 MICROMETER MINIMUM) |

| | | | | | | | |
|--|--|------------------------|----------------------------|--|------------------------|------------------------|--|
| REVISED EC NO: J2009-2136 DRWNSKUROSE 2009/04/09 CHKD:KASAKAWA 2009/04/09 APPR:SI CHIKAWA 2009/04/09 | DESCRIPTION GENERAL TOLERANCES (UNLESS SPECIFIED) | 10 UNDER ±0.2 | DIMENSION STYLE MM ONLY | SCALE 4:1 | DESIGN UNITS METRIC | THIRD ANGLE PROJECTION | |
| | | 10 OVER 30 UNDER ±0.25 | | DRAWN BY DATE SKUROSE 2008/09/03 | | | TITLE 1.5 W/B CONN. SINGLE DIP ST REC. ASS'Y 2-15CKT WITHOUT BOSS |
| | | 30 OVER ±0.3 | | CHECKED BY DATE KASAKAWA 2008/09/03 | | | MOLEX MOLEX INCORPORATED |
| | | ANGULAR ±3 ° | | APPROVED BY DATE SICHIKAWA 2008/09/03 | | | DOCUMENT NO. SD-503159-002 |
| REV | DRAFT WHERE APPLICABLE MUST REMAIN WITHIN DIMENSIONS | SIZE A3 | SEE TABLE | | SHEET NO. 1 OF 2 | | |

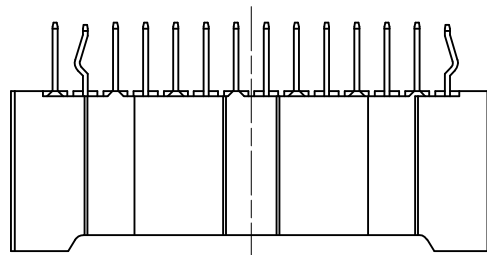
THIS DRAWING CONTAINS INFORMATION THAT IS PROPRIETARY TO MOLEX INCORPORATED AND SHOULD NOT BE USED WITHOUT WRITTEN PERMISSION



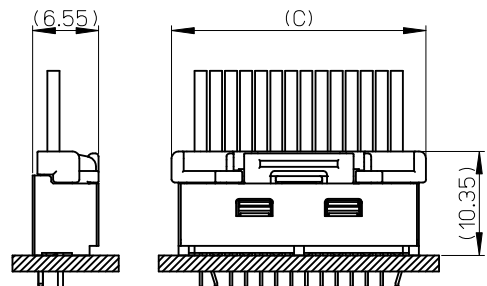
2~5 極形状 (ロック面及び反ロック面)
 FIGURE OF 2-5 CIRCUIT (LOOK SIDE AND UN-LOCK SIDE)



6~10 極形状 (反ロック面)
 FIGURE OF 6-10 CIRCUIT (UN-LOCK SIDE)



11~15 極形状 (反ロック面)
 FIGURE OF 11-15 CIRCUIT (UN-LOCK SIDE)



嵌合図 (SCALE 2:1)
 MATED CONNECTORS (SCALE 2:1)

NOTES

1. 嵌合相手: 502578シリーズ
 MATE WITH: 502578 SERIES.
2. 極数/2=偶数に適用
 APPLY FOR CIRCUIT SIZE/2=EVEN.
3. 端子テール部に錫めっきを使用している為、外観に摺動痕が付く場合があります。
 THE WOUND OF FRICTION MIGHT ADHERE TO EXTERNALS BECAUSE THE TIN PLATING IS USED FOR THE TAIL.
4. 製品番号
 MATERIAL No.

503159-***
 極数
 CIRCUIT SIZE
 ボス、色
 BOSS, COLOR

| ボス無し | | CIRCUIT | No. | COLOR |
|-------|---|---------|-------------|------------|
| 02~15 | 1 | | 0 | ベージュ BEIGE |
| | | | 1 | 黒 BLACK |
| | | | 2 | 赤 RED |
| | | | 3 | 黄 YELLOW |
| | | | 4 | 青 BLUE |
| | | | 5 | 桃 PINK |
| | | | 6 | 緑 GREEN |
| | | | 7 | 茶 BROWN |
| | | | 8 | 橙 ORANGE |
| | | | 9 | 紫 VIOLET |
| 02 | 3 | 4 | 水 PALE BLUE | |

5. 本製品のプラスチック部に黒点・白点等が確認される場合や色合いが異なる場合がありますが、製品性能に影響はありません。
 THERE IS NO INFLUENCE IN THE PRODUCT PERFORMANCE THOUGH THE BLACK AND WHITE SPOT ETC. MIGHT BE CONFIRMED TO THE PLASTIC PART OF THIS PRODUCT AND THE SHADE MIGHT BE DIFFERENT.
6. ELV及びRoHS 適合品
 ELV AND RoHS COMPLIANT
7. ボス有形状は“SD-503159-001”を参照願います。
 REFER TO “SD-503159-001” FOR WITH BOSS.

| | | | | | | | |
|--|--|-------|----------------------------|---|--|------------------------|------------------------|
| REVISED EC NO: J2009-2136 DRWNSKUROSE 2009/04/09 CHKD:KASAKAWA 2009/04/09 APPR:SI CHIKAWA 2009/04/09 | GENERAL TOLERANCES (UNLESS SPECIFIED) | | DIMENSION STYLE MM ONLY | | SCALE 4:1 | DESIGN UNITS METRIC | THIRD ANGLE PROJECTION |
| | 10 UNDER | ±0.2 | DRAWN BY SKUROSE | DATE 2008/09/03 | TITLE 1.5 W/B CONN. SINGLE DIP ST REC. ASS'Y 2-15CKT WITHOUT BOSS | | |
| | 10 OVER 30 UNDER | ±0.25 | CHECKED BY KASAKAWA | DATE 2008/09/03 | MOLEX INCORPORATED | | |
| | 30 OVER | ±0.3 | APPROVED BY SICHIKAWA | DATE 2008/09/03 | DOCUMENT NO. SD-503159-002 | SHEET NO. 2 OF 2 | |
| REV | ANGULAR ±3 ° DRAFT WHERE APPLICABLE MUST REMAIN WITHIN DIMENSIONS | | MATERIAL NO. SEE TABLE | THIS DRAWING CONTAINS INFORMATION THAT IS PROPRIETARY TO MOLEX INCORPORATED AND SHOULD NOT BE USED WITHOUT WRITTEN PERMISSION | | | |